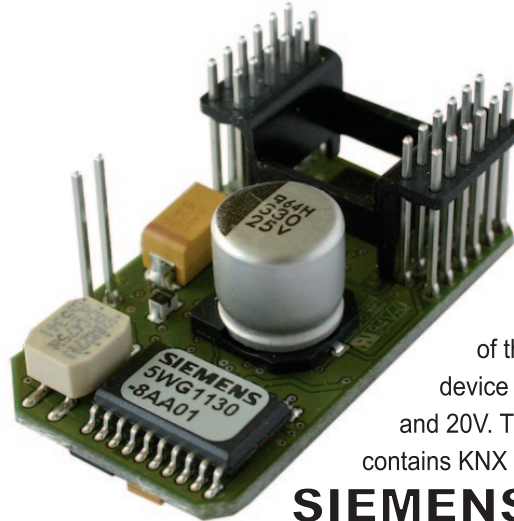


# KNX System Components

## Bus interface module M13x family

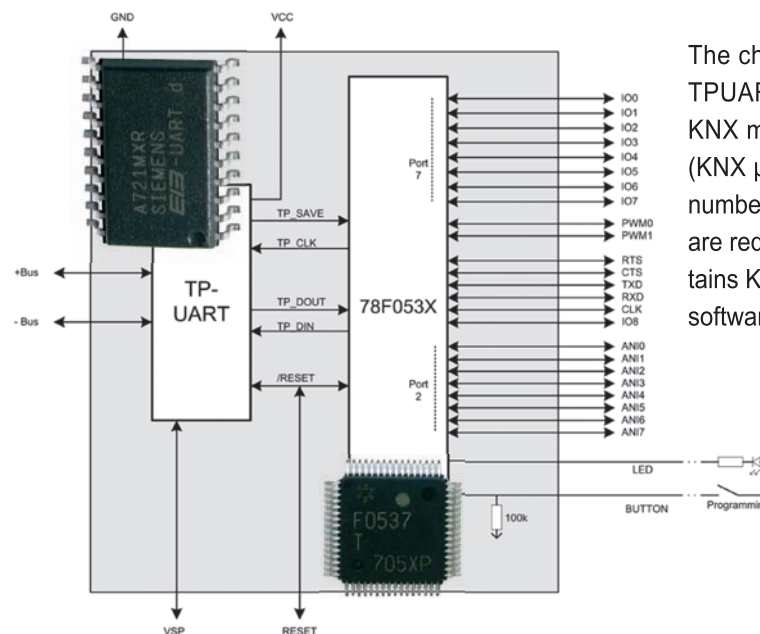


The Bus Interface Module (BIM) is a module designed to build it into a target device. It contains the entire circuit required for KNX bus communication over the twisted pair medium. The only external components are the programming button and the programming LED, which come into addition of the application hardware of the device. The BIM is able to supply the KNX device with power from the bus by the voltages 5V and 20V. The BIM hardware is KNX standardised and contains KNX standardised system software.

**SIEMENS**

BIM M13x family	Chipset KNX microcontroller	Memory available for application program	
		Flash	RAM
BIM M130	78F0534-2.5	8 KByte	200 Byte
BIM M131	78F0535-2.5	16 KByte	1.2 Kbyte
BIM M132	78F0537-2.5	48 Kbyte	5.2 Kbyte
BIM M135	BIM M130 with extended temperature range -25 to +70°C		

## KNX chipset



The chipset is a bundle of the TPUART transceiver and the KNX microcontroller (KNX  $\mu$ C). For the chipset a number of external components are required. The chipset contains KNX standardised system software.



Opternus Components GmbH, Bahnhofstr. 5, D-22941 Bargteheide

Tel: +49 4532 2044 0, Fax+49 4532 2044 25

eib-info@opternus.com - online shop: www.opternus.com

## A new tool suite for KNX System Components

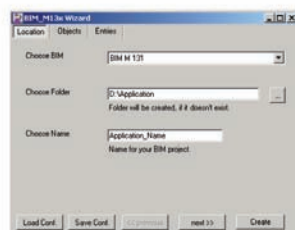
The development tool package contains everything needed to write an application program: the evaluation board, the USB programming interface ("minicube"), a size limited version of the IAR embedded workbench, and the BIM Tools software. The embedded workbench supports application software code up to the maximum memory size of 16kbytes, i.e. applications for the BIM M130 and M131 can be written with this version without any restrictions. Only for application code intended for the BIM M132 the full version of the IAR embedded workbench is required



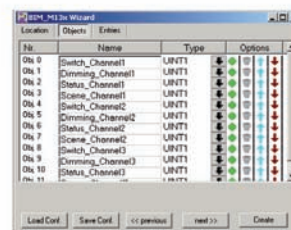
## BIM Tools Software

### ■ Project Generation by BIM Wizard

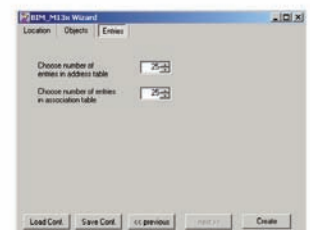
A function in the BIM Tools is the BIM Wizard, which generates the code framework for an application program.



**Project setup**



**specification of communication objects**



**specification of table lengths**

Opternus Components GmbH, Bahnhofstr. 5, D-22941 Bargteheide

Tel: +49 4532 2044 0, Fax+49 4532 2044 25

eib-info@opternus.com - online shop: www.opternus.com

